

**Use for testing large volume IV solutions such as Total Parenteral Nutrition admixtures, for microbial contamination under the conditions of growth described in the Directions For Use and for verifying aseptic technique.**

### ***NOTES:***

### ***DIRECTIONS FOR USE***

- Use in hospital and homecare IV pharmacy Quality Control programs.
- Use aseptic technique where appropriate.
- For testing up to 4 liters of liquid.
- Single use only.

1. Remove and save cover on vented spike on proximal (inlet) end of QT Junior.
2. Insert spike into source container. Open vent cap on spike *only* if source container is a *non-vented* bottle.
3. Remove tab on spike port on the distal (outlet) end of QT Junior.
4. Firmly insert pumpset spike into the QT Junior spike port.
5. Invert the QT Junior filter chamber to purge air while priming the tubing. It is not necessary to remove all air from QT Junior filter chamber to achieve high flow rates.

Note: Admixtures containing emulsions will not transfer through the QT junior. For testing TNA's, contact your Q.I. Medical representative for details on the **QuickTest™ System**, specifically designed to test admixtures containing emulsions.

6. Run pump to complete priming of QT Junior and pump tubing.
7. Transfer contents of source container to receiving container(s).
8. Close clamp on distal end of QT Junior. Remove pumpset spike from distal end of QT Junior.

Note: QT Junior is not intended to filter-sterilize (cold sterilize) contaminated solutions or admixtures made from non-sterile ingredients. Discard filtered solution and receiving container.

9. Remove and discard empty source container.
10. *Close vent cap* on spike if open.
11. Carefully insert spike into vial of GroMed™.

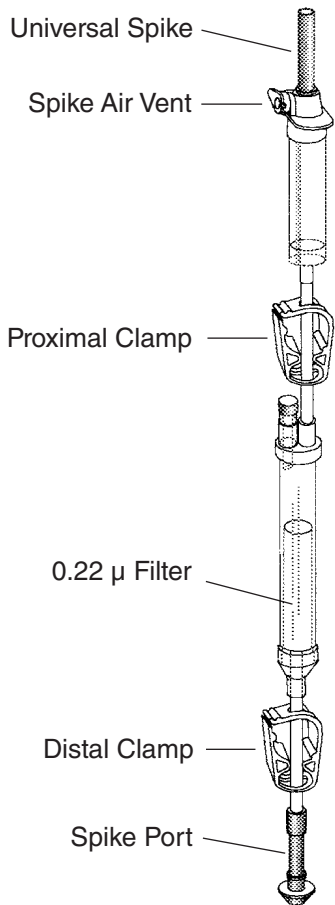
Note: The Soybean-Casein Digest Medium growth media is formulated according to USP XXVII requirements for performing microbiological sterility tests.

12. Squeeze drip chamber 10 to 20 times to fill filter chamber with TSB.
13. Close clamp on tubing below drip chamber. Remove and discard vial of growth media.

Optional: The spike and drip chamber can be removed and discarded by cutting the tubing below the drip chamber but above the closed clamp.

14. Complete, then attach gummed label to filter chamber.
15. Incubation  
 USP Chapter <71> Sterility Tests Method: Incubate at 22.5+/-2.5°C for not less than 14 days. Observe the media on a periodic basis for the 14 days. If the test is positive before 14 days of incubation, further incubation is not necessary.
16. Remove "piggy back" gummed label from QTJunior and record results in QuickTest log.
17. Discard used QTJunior filters in a safe manner.

**IMPORTANT:** Do not use if protective covers are missing or not in place.  
 Do not use for direct infusion into patient.  
 Do not resterilize or reuse, discard after use.



**Q.I. Medical, Incorporated**  
 Grass Valley, CA 95945  
 (530) 272-8700  
 www.qimedical.com  
 info@qimedical.com

Q.I. Medical, Inc.  
 Price List



# Sterility Tests LOG

**Q.I.medical, inc**

1415 Whispering Pines Lane, Suite 150 • Grass Valley, CA 95945  
(530) 272-8700 • FAX (530) 272-8702 • www.qimedical.com

RESULTS										
NEG.					POSITIVE					
Test Date	Sample #	Prepared by	Hood #	Solution or Process Tested	Media Lot #	Incubation Temp	Initials	Organism Identified	Comments	